



## Product Information CR9-ADAPT

### **CompactPCI®** Front Panel Adapter 3U → 6U

Document No. 1812 • Edition 1 December 2010

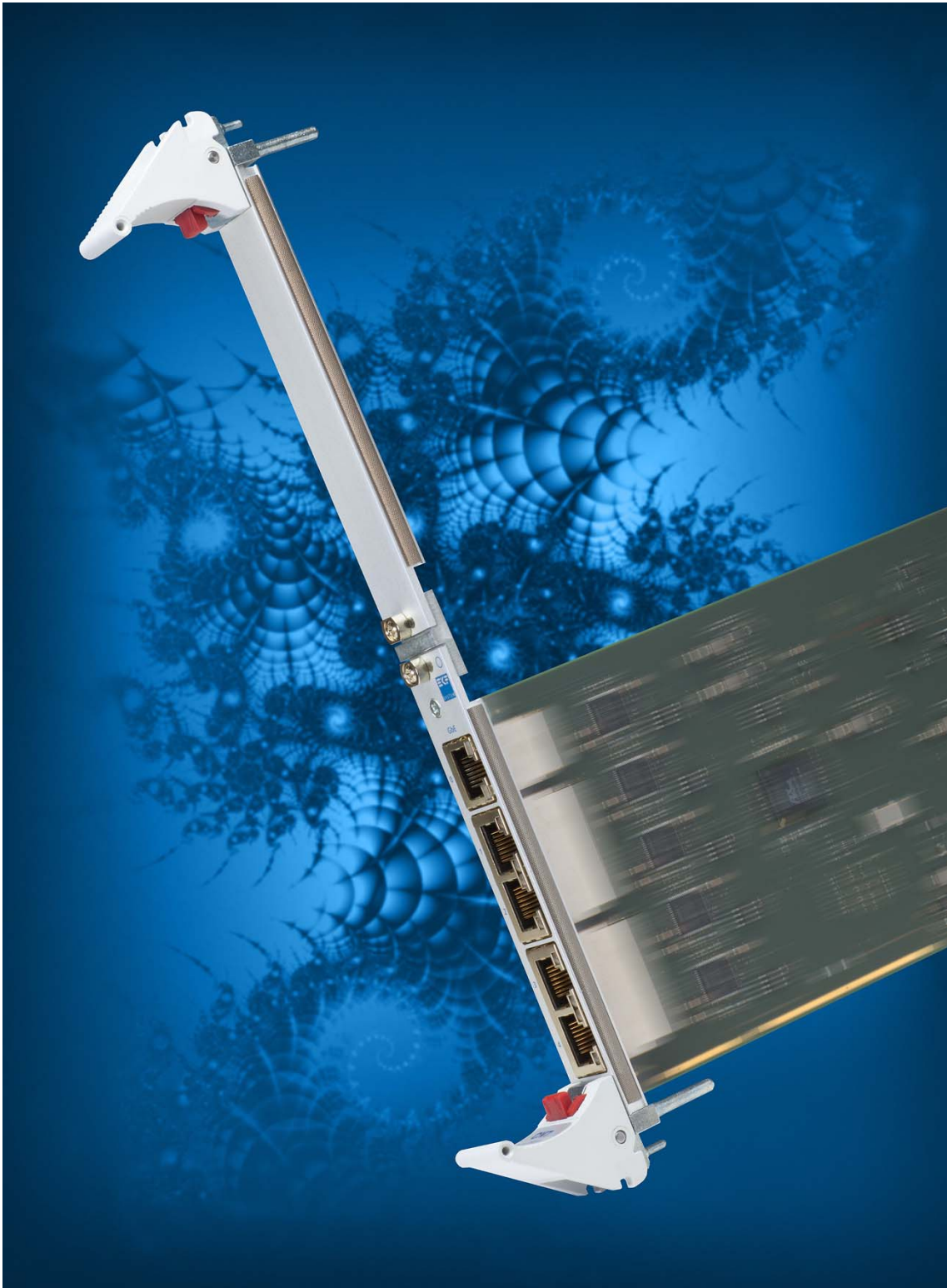
*CompactPCI® boards are widely available as single or double sized Eurocards. Typically, 19-inch rack mounting technology is used for CompactPCI systems, either 3U or 6U slot height. 6U racks are appropriate for both single and double sized Eurocards, thus allowing mixed arrangements of boards. The CR9-ADAPT is a mechanical adapter, extending the original boards front panel from 3U to 6U height in a simple and robust manner.*

The CR9-ADAPT kit is suitable for EKF CompactPCI® boards, and also for several competitors products. It is available as 4HP (width 20.32mm) or 8HP (40.64mm) solution.

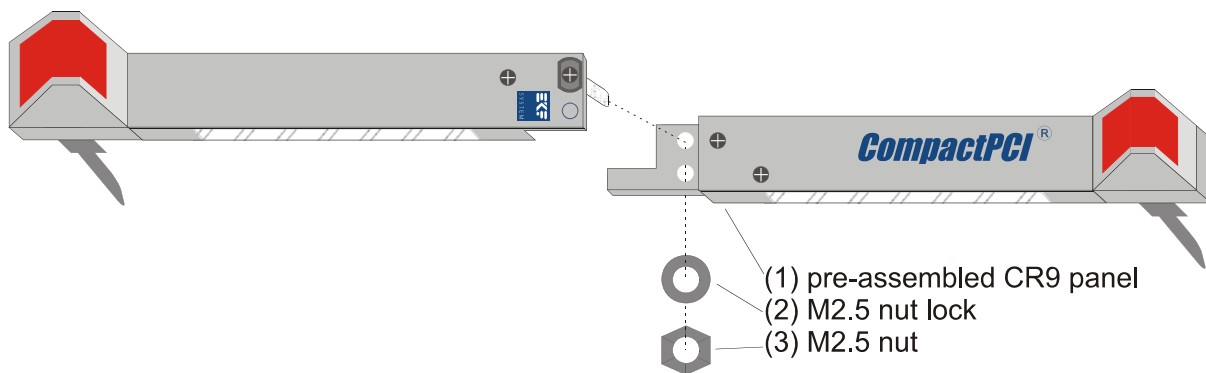
The CR9-ADAPT is a handsome and professional solution for using 3U CompactPCI® boards in an 6U environment, with users needs for both mechanical robustness as well as EMC criteria in mind.



CR9-ADAPT 6U Front Panel Extension



CR9-ADAPT



### Ordering Information

Order No.	Short Information
CR9-5-ADAPT	<i>CompactPCI</i> front panel adapter 4HP (mechanical kit), extends 3U front panels to 6U, suitable for <i>CompactPCI</i> single-size Eurocards with Schroff style panel and Elma handle
CR9-6-ADAPT	<i>CompactPCI</i> front panel adapter 8HP (mechanical kit), extends 3U front panels to 6U, suitable for <i>CompactPCI</i> single-size Eurocards with Schroff style panel and Elma handle

[www.ekf.com/liste/liste\\_20.html#CR9](http://www.ekf.com/liste/liste_20.html#CR9)

Industrial Computers Made in Germany  
boards. systems. solutions.

EKF Elektronik GmbH  
Philipp-Reis-Str. 4  
59065 Hamm  
Germany



Phone +49 (0)2381/6890-0  
Fax +49 (0)2381/6890-90  
Internet [www.ekf.com](http://www.ekf.com)  
E-Mail [info@ekf.com](mailto:info@ekf.com)